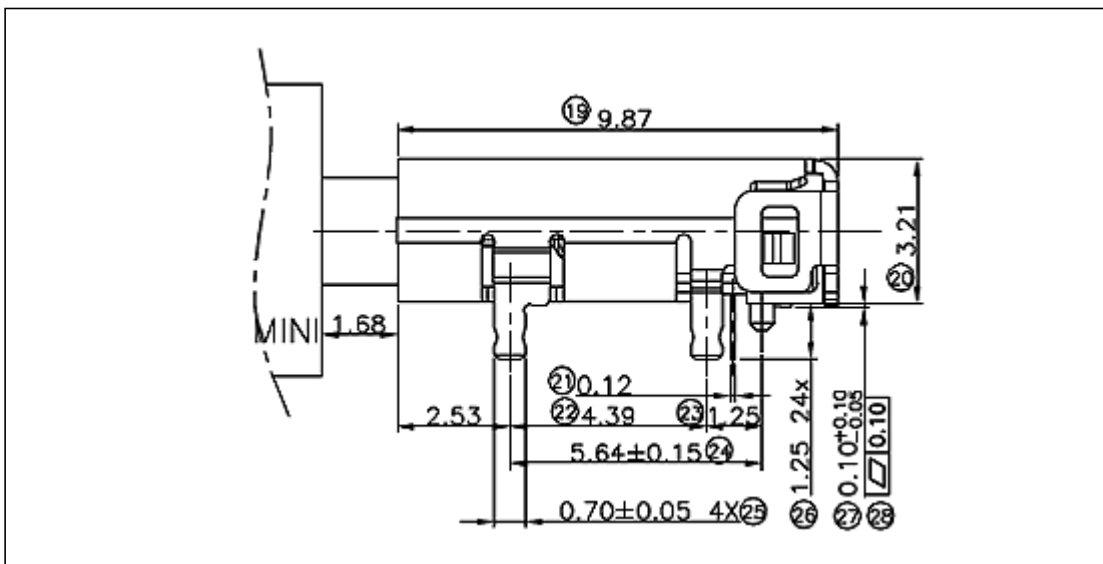
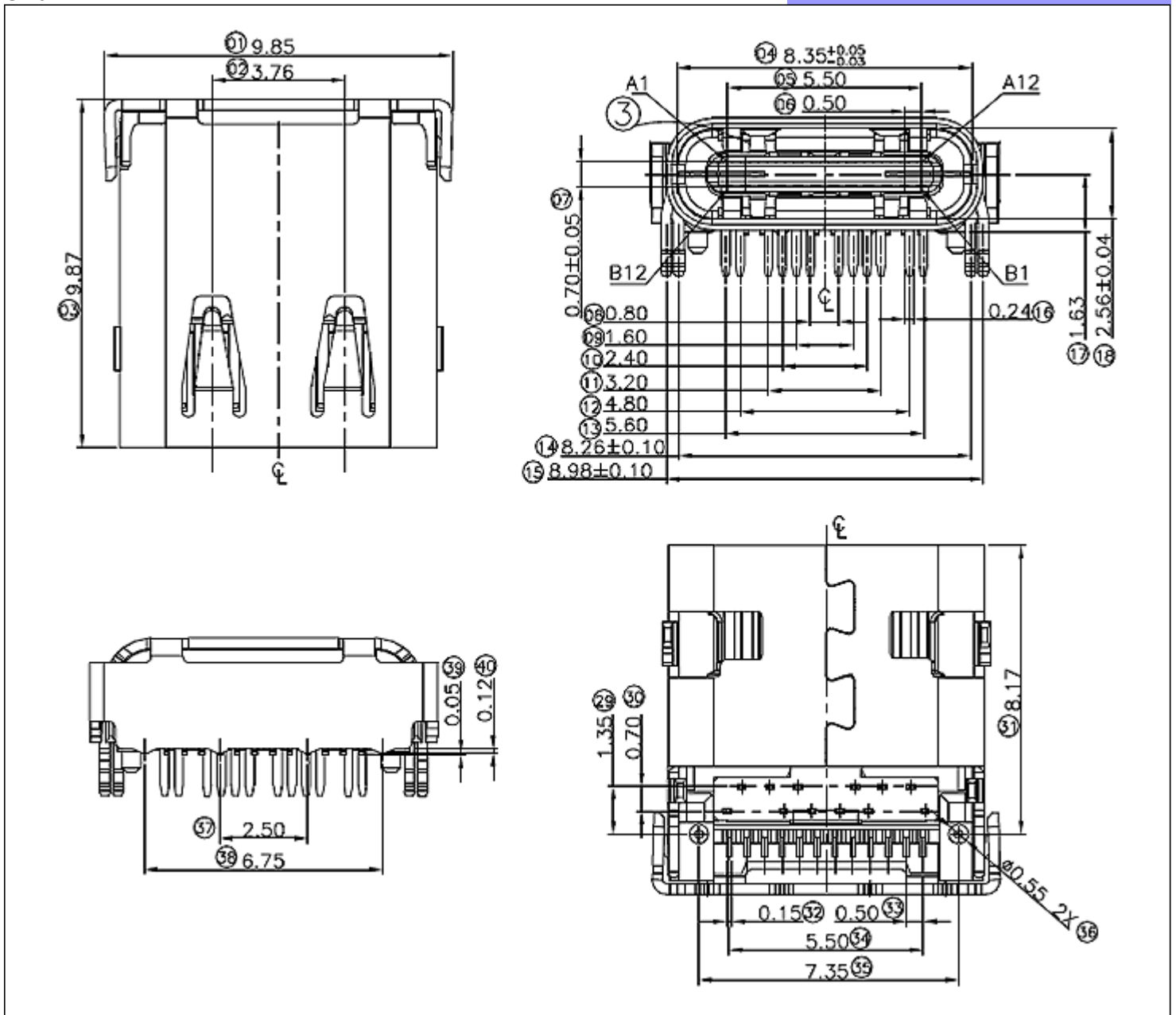


Operation: Push-Pull



LTEM NO.:MC-313D
(TYPE-C-CONNECTORS)

Unit:mm



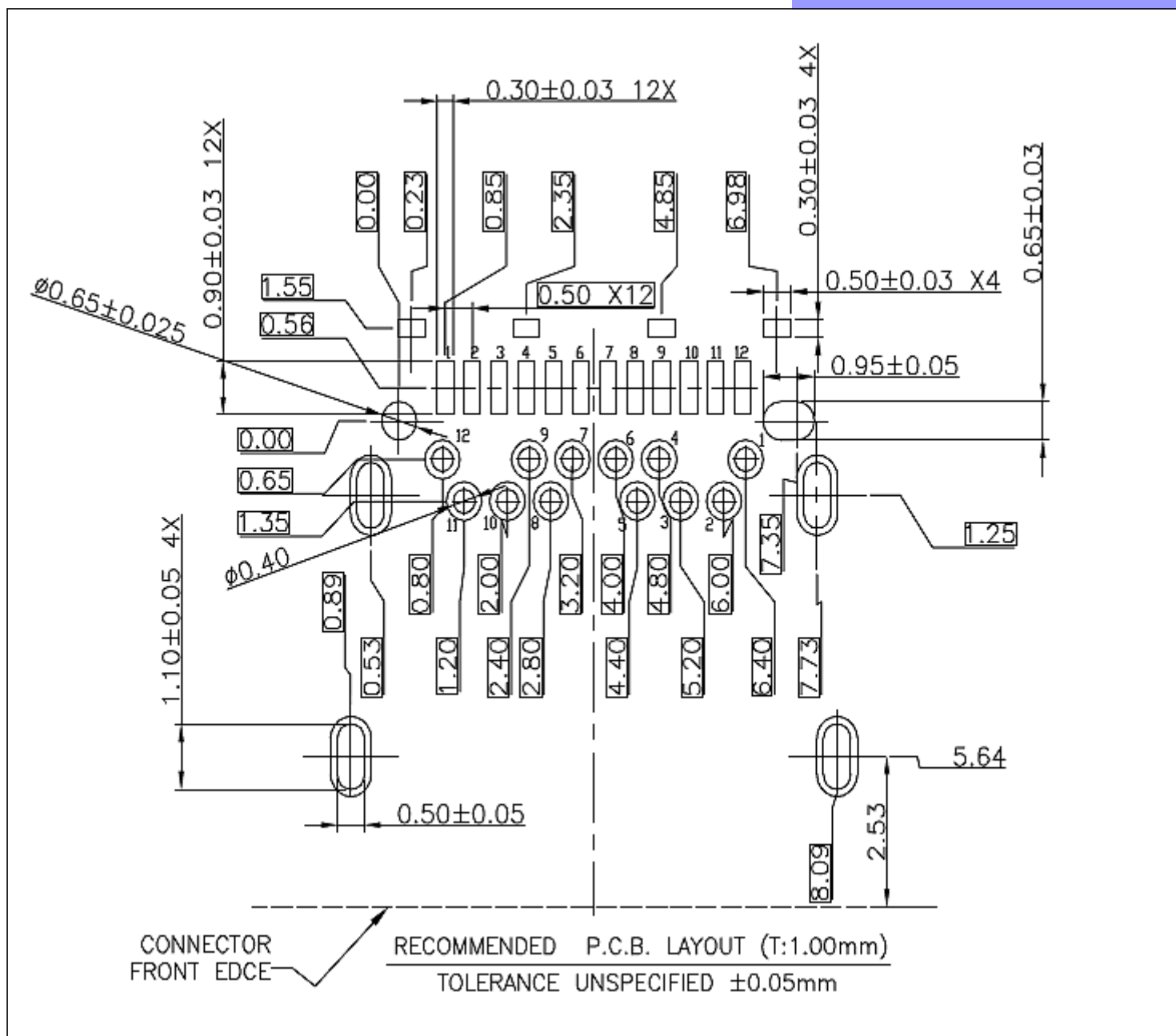
表面貼裝 DIP/SMT

側向導入 LATERAL

精密部品 NICETY

可靠 STABILIZE

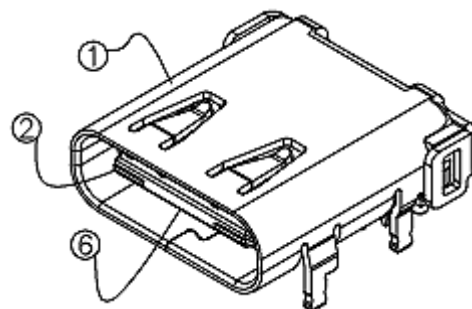
適合環保 RoHS



Assignment

Material declaration

No.	NAME	Type	Description
①	HOUSING	1	LCP(glass fiber filled)BK
②	CONTACT	24	BRASS(t=0.12mm)
③	GUARD PLATE	1	STAINLESS STEEL(t=0.10mm)
④	SHIELD	1	STAINLESS STEEL(t=0.30mm)



本品不屬於危害性廢棄物,須丟棄時可以委託回收商予以回收再生處理。

Products do not belong to hazardous waste, When waste can recycling processing

運送時本產品不要直接與水、酸鹼性化學物質接觸,或放置於含有以上氣體環境中,並且需要注意會有滑落、側翻的危險發生;運輸過程中不能有碰撞或者擠壓,須保證溫度與濕度適中[常溫 25℃,濕度在 50℃以內],不可導致材料變形或氧化。

PIN ASSIGNMENTS

PIN	Signal NAME	Description	PIN	Signal NAME	Description
A 1	GND	Ground return	B12	GND	Ground return
A 2	SSTXp1	Positive half of first SuperSpeed TX differential pair	B11	SSRXp1	Positive half of second SuperSpeed RX differential pair
A 3	SSTXn1	Negative half of first SuperSpeed TX differential pair	B10	SSRXn1	Negative half of second SuperSpeed RX differential pair
A 4	V _{BUS}	Bus Power	B 9	V _{BUS}	Bus Power
A 5	CC1	Configuration Channel	B 8	SBU2	Sideband Use(SBU)
A 6	Dp1	Positive half of the USB 2.0 differential pair-Position 1	B 7	Dn2	Negative half of the USB 2.0 differential pair-Position 2
A 7	Dn1	Negative half of the USB 2.0 differential pair-Position 1	B 6	Dp2	Positive half of the USB 2.0 differential pair-Position 2
A 8	SBU1	Sideband Use(SBU)	B 5	CC2	Configuration Channel
A 9	V _{BUS}	Bus Power	B 4	V _{BUS}	Bus Power
A10	SSRXn2	Negative half of second SuperSpeed RX differential pair	B 3	SSTXn2	Negative half of first SuperSpeed TX differential pair2
A11	SSRXp2	Positive half of second SuperSpeed RX differential pair	B 2	SSTXp2	Positive half of first SuperSpeed TX differential pair2
A12	GND	Ground return	B 1	GND	Ground return

Technical parameter

PROJECT	LEVEL		A[better product]	B[average product]	C[low product]
	Electrical Properties	Initial Contact Resistance		30mΩ max.	30mΩ max.
Contact Resistance			100mΩ min. 100V DC Skey/PD: 50mΩ min. 100V DC		
Withstand Voltage			300V AC for 1min	250 V AC for 1min	
Durable Performance	There No Load		8,000 Cycles	7,000 Cycles	no data!
	Rated Load		6,500 Cycles 50mΩ max.	5,000 Cycles 30mΩ max.	no data!
Insertion Force			4.0Kgf MAX (Springback:)		

注記 NOTICE

1. 碩方電子公司擁有最終解釋權； The company reserves the right of final interpretation;
2. 文件禁止外洩、轉載； Leaked and reproduced prohibited;
3. 未經授權修改無效。 Modify is invalid.